

Tape and Reel Standards

PACKAGE	AVAILABLE PACKAGING			
	10" TAPE AND REEL	13" TAPE AND REEL	AMMO PACK # 1	AMMO PACK # 2
	QUANTITY/REEL	QUANTITY/REEL	QUANTITY/BOX	QUANTITY/BOX
SOD57	5000		5000	
SOD64	2500		2500	

TAPING SPECIFICATIONS SOD57 AND SOD64														
DESCRIPTION	SYMBOL	SPECIFICATION (mm)												
Component pitch	A	5.0 ± 0.5												
Inside tape spacing	B	52 + 2 mm - 1 mm												
Lead to lead eccentricity	ID1-D2I	1.4 max.												
Lead extension	K	0												
Lead bending	M	1.2 max.												
Cumulative pitch	P	2 per 10 pitch												
Exposed adhesive	S	0.8 max.	Tape width	T	6.0 ± 0.4	Tape leader	Beginning and end of reel or ammo pack		Empty spaces	Consecutive missing components not allowed		Polarity marking	All polarized components shall be oriented in the same direction. The cathode tape shall be colored, and anode tape shall be white or light beige	
Tape width	T	6.0 ± 0.4												
Tape leader	Beginning and end of reel or ammo pack													
Empty spaces	Consecutive missing components not allowed													
Polarity marking	All polarized components shall be oriented in the same direction. The cathode tape shall be colored, and anode tape shall be white or light beige													

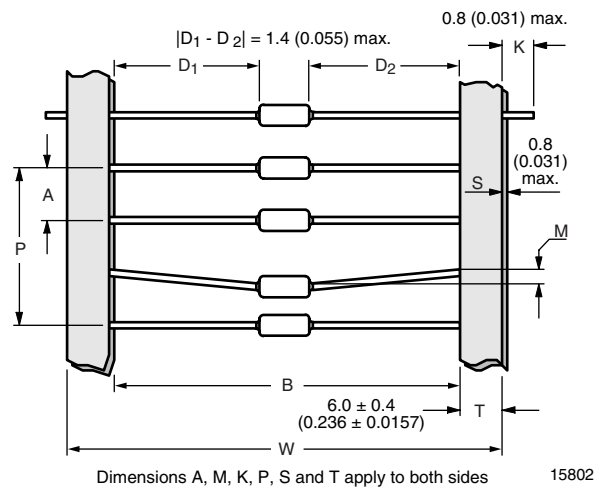
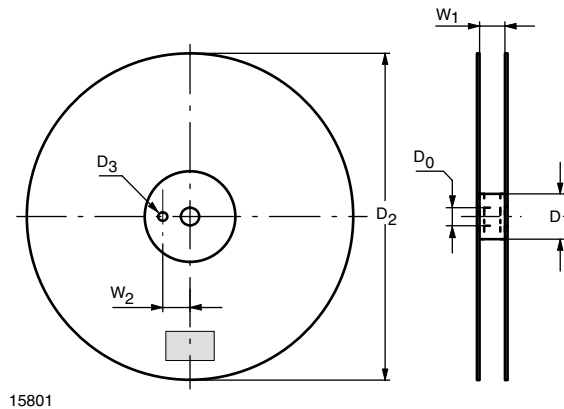


Fig. 1

10" REEL SPECIFICATION (SOD57 AND SOD64 PACKAGES)		
DESCRIPTION	SYMBOL	REEL SIZE 10"
Arbor hole diameter	D ₀	30 ± 1 mm
Core diameter	D ₁	71 ± 1 mm
Reel diameter	D ₂	250 ± 2 mm
Drive hole diameter	D ₃	10 ± 1 mm
Reel width	W ₁	68 ± 1 mm
Drive/arbor hole spacing	W ₂	27.5 ± 1 mm
Core material		Plastic
Reel material		Plastic



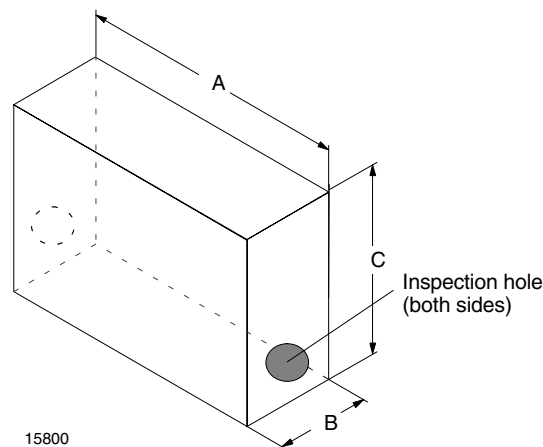
15801

Fig. 2

AMMOPACK # 1 SPECIFICATION (SOD57 AND SOD64 PACKAGES) (Figure 3)			
DESCRIPTION	SYMBOL	SPECIFICATION	
		INCHES	MILLIMETERS
Length	A	10.25 ± 0.2	260 ± 5.0
Width	B	2.75 ± 0.2	70 ± 5.0
Height	C	5.75 ± 0.65	146 ± 16.0

Note

Material: corrugated board (neutral)



15800

Fig. 3

PREFORMED LEADS (SOD64 PACKAGES)

Some types of automatic insertion machines have problems in bending the relatively thick leads of SOD64 Sinterglass Diodes. To overcome this, our diodes can be ordered with preformed leads as follows. Preformed Sinterglass Diodes are shipped in bulk.

SUFFIX RA

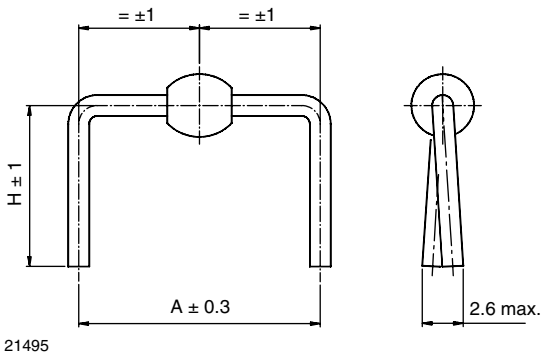


Fig. 4

SUFFIX RAS

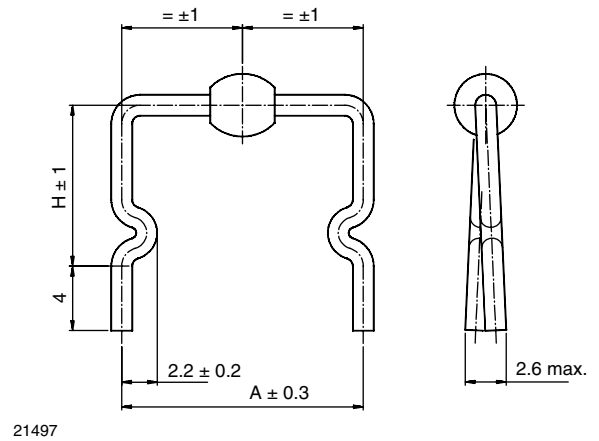


Fig. 6

SUFFIX RAP

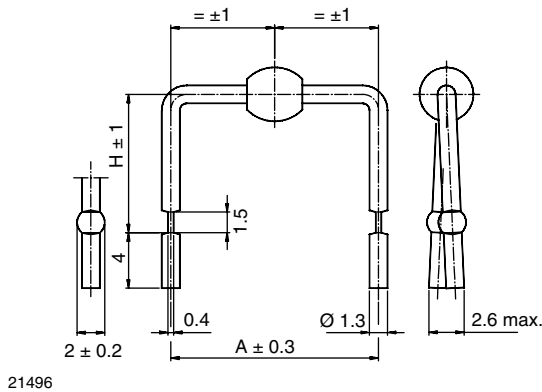


Fig. 5

COMMON BENDING VERSION:				
SUFFIX			A (mm)	H (mm)
RA 15/10	RAS 15/10	RAP 15/10	15	10
RA 17.5/10	RAS 17.5/10	RAP 17.5/10	17.5	10

Note

Other bending versions are available on request.